

# 16CH 4HDD 8POE NVR

Model TC-NR4016M7-P4

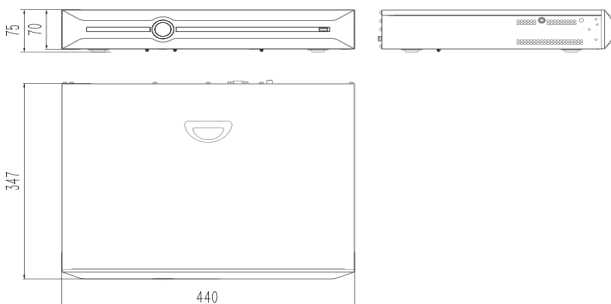
# Tiandy



## Features

- Up to 6MP Resolution Recording
- Plug&Play with up to 8 Independent PoE Network Interfaces
- Support 16-ch Intelligent Analysis Process
- Built-in 2-ch Tiandy Camera VCA Process (Tripwire and Perimeter)
- Smart Search&Recording
- Support ANR Function
- Support N+1 Hot Standby Function
- 4 SATA(Up to 32TB), Alarm I/O 16/4, Audio I/O 1/1, 2 USB
- CE, FCC
- 8-ch PSE interface

## Dimensions



Video/Audio Input	
Incoming Bandwidth	128Mbps
IP Video Input	16-ch
Audio Input	1-ch, AUX3.5mm
Video/Audio Output	
Outgoing Bandwidth	64Mbps
HDMI	1920×1080,1280×720,800×600,1024×768 1440×900,1280×800
Frame Rate	Mainstream 25fps(P)/30fps(N);Substream 25fps(P)/30fps(N)
I-Frame Record	Y
Recording Resolution	6MP(2752*2208,3008*2008,2408*2008) 5MP(2560*1920,2592*1944,2592*1920,2528*2128/4MP(2560*1440,2592*1520) 3MP(2048*1536)/1080P/U/XGA/720P/VGA/4CIF/DCIF/2CIF/CIF/QCIF
Decoding	
Live View/Playback	6MP(2752*2208,3008*2008,2408*2008) 5MP(2560*1920,2592*1944,2592*1920,2528*2128/4MP(2560*1440,2592*1520) 3MP(2048*1536)/1080P/U/XGA/720P/VGA/4CIF/DCIF/2CIF/CIF/QCIF
E-Zoom	Y
Network	
Incoming Bandwidth	128Mbps
Outgoing Bandwidth	64Mbps
Remote Connection	32 Users, Up to 48ch Videos
Browser	CHROME V45 or lower, IE, FIREFOX
Mobile Software	P2P/DDNS/IP for IOS&Android (App Name: Easylive)
Protocols	TCP/UDP/HTTP/MULTICAST/UPnP/DHCP/PPPoE/DDNS/NFS/FTP/NTP/CP-IP IPFILTER/ALARMSEVER/IP SEARCH/HTTPS/RTSP/SMTP/SADP/SNMP
ANR	Y
Advanced	Remaining Bandwidth Display
Hard Disk	
SATA	4 SATA for 4 HDDs
Capacity	Up to 8TB Capacity for Each HDD
NTFS File System	Y
HDD Management	Group and Quota
External Interface	
Network Interface	1 RJ-45 100/1000 Self-adaptive Ethernet Interfaces
USB Interface	1 x USB2.0, 1 x USB3.0
Alarm In	16-ch
Alarm Out	4-ch
POE	
Interface	8 Independent 100 Mbps PoE Network Interfaces
Max Power	120W, max to 30W for Each Port
Supported Standard	AF and AT
Advanced	
NAS	NFS Protocol, Support Manual Backup Only
Plug and Play	Y, Only for Tiandy Cameras
Corridor Mode	Y, 16:9 to 9:16, Only for Tiandy Cameras
Video Analytics(VCA)	Built-in 2-ch Tiandy Camera VCA Process (Tripwire and Perimeter), 16-ch Tiandy Camera VCA Process (Tripwire and Perimeter)
Smart Recording	Set Recording Bit Rate for Different Time
Alarm Recording	Pre Alarm Default 10s (5/10/15/60s Optional) Post Alarm Default 10s (10/15/30/60/600s Optional)
General	
Language	English,Spanish,Korean,Italian,Turkish,Thai,Russian Polish,French,Traditional Chinese,Simplified Chinese
Consumption(without hard disk and POE)	≤ 25W (without HDD)
Working	-10 °C ~ +55 °C (+14 °F~ + 131 °F)
Working Humidity	10 % ~ 90 %
Chassis	1.5U
Dimensions	440mmx347mmx70mm
Weight	3.8KG (without HDD); 5.5KG (with Packing Box)
ANR:	Auto store video in SD card when NVR disconnected, and upload video to NVR when resumed connection(Only Support Tiandy ANR NVR)
Smart Search:	Greatly improve search speed for recorded video via VCA function

\* The latest product information / specification can be found at <http://en.tiandy.com/>

