

# TC-NH6233

H.265 2MP 33x Starlight PTZ

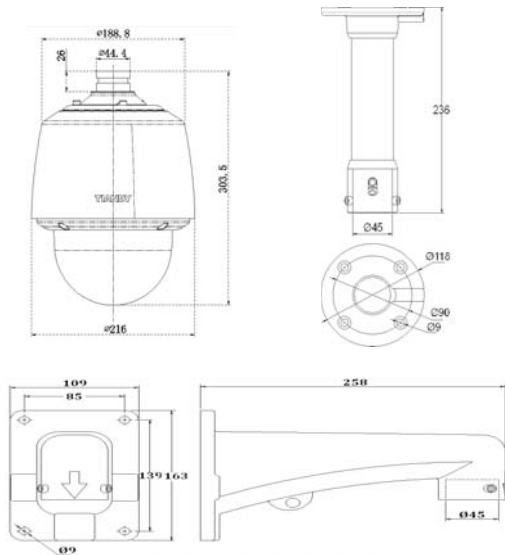
# Tiandy



## Features

- Ultra Low Light 0.002lux
- H.265 Codec
- Up to 1920X1080 High Resolution
- Speed Max 600°/s, -15~90° Tilt Angle
- Optical Zoom 33x, Digital Zoom 16x
- NIR, WDR, 3D DNR, HLC, Dual-ICR, AWB, AGC, BLC
- Triple Streams
- MicroSD Card Slot, up to 128GB
- 9 Kinds of IVA Functions
- Smart Defog
- TVS 6000V, Lightning/Surge 4000V Protection, IP67
- Temperature -40°C-70°C
- CE, FCC

## Dimensions



## Dimensions(Optional)

Model: DF20

DF21



<b>Camera</b>	
Image Sensor	1/2.8" SNOY Exmor CMOS
Effective Pixels	1920X1080
Signal System	PAL/NTSC
Minimum Illumination	Color: 0.002 Lux @(F1.6,AGC ON) Black&White:0.001Lux @(F1.6,AGC ON) / 0 Lux with IR
White Balance	Auto/ATW/Manual
AGC	Auto/Manual
S/N Ratio	≥ 50dB
BLC	Y
HLC	Y
Smart Defog	Y
WDR	100dB
Digital Noise Reduction	3D DNR
Exposure Mode	Auto/Manual/Iris First/Shutter First
Shutter Time	1/1-1/100000S
Day& Night	IR Cut Filter with Auto Switch
Digital Zoom	16X
Dynamic Privacy Masking	24 Dynamic Privacy Masks Programmable; Optional Multiple Colors
Auto Focus	Auto/ Semi-automatic/ Manual
OSD	16*16,32*32,24*24,48*48,64*64 Character Size / Time, Date, Week, Character Superposition in 5 Regions PTZ Angle Superposition
<b>Lens</b>	
Focal Length	4.6-152mm, 33x
Optical Zoom Speed	Approx.5s(Optical Wide-Tele)
Angle of View	62.1°(w)--2.18°(t)
Minimum Working Distance	1-1.5m(Wide-Tele)
Aperture Range	F1.6-F4.8
<b>Pan &amp; Tilt</b>	
Pan Range	360° Endless
Pan Speed	Pan Manual Speed 0.1°~300°/s (Stepless Speed) Pan Preset Speed 600°/s
Preset Accuracy	±0.05°
Tilt Range	-15°~90°Auto Flip
Tilt Speed	Tilt Manual Speed 0.1°~240°/s Tilt Preset Speed 400°/s
Proportional Zoom	Rotation Speed Can Be Adjusted Automatically According to Zoom Multiples
3D Position	Y
Number of Preset	500
Scan	8
Cruise	8, Up to 32 Presets per Cruise
Pattern	8, Each One With 180s Memory or 300 Orders
Power Loss Recovery	Y
Guard Action	Preset/ Cruise/ Pattern/ Scan
PTZ Position Display	Y
Freeze Frame	Y
RS-485 Protocols	PTZ_PELCO_D, PTZ_PELCO_P, PTZ_TC615_P, DOME_PELCO_D, DOME_PELCO_P, DOME_PLUS
<b>Interface</b>	
Audio Input	1-ch Mc in(Line in Interface) / Line Input 2-2.4V(p-p); Output Impedance 1KΩ, ±10%
Audio Output	1-ch Line Level
Ethernet	1-ch RJ45 10M / 100M
Alarm Input	1-ch
Alarm Output	1-ch
On-board Storage	MicroSD Card Slot, up to 128GB
BNC&RS-485	N/A
Extension	N/A
<b>Network</b>	
Ethernet	10Base-T /100Base-TX RJ45 Connector
Max.Image Resolution	1920×1080
Main Stream	1920×1080@25/30fps;1920×1080@50/60fps; 1280×960@25/30fps;1280×960@50/60fps; 1280×720@25/30fps; 1280×720@50/60fps; 704×576@25/50fps;704×480@30/60fps
Sub Stream	704×576@25fps/704×480@30fps; 352×288@25fps/352×240@30fps; 176×144@25fps/176×120@30fps
Third Stream	352×288@25fps/352×240@30fps
Image Compression	H.265/H.264 HP/MP/BP/M-JPEG
ROI Encoding	8 Dynamic Areas for Both Main and Sub Stream
Audio Compression	G.711A/G.711U/AAC/ADPCM
Protocols	IPV4/IPV6,HTTP,HTTPS,802.1x,Qos,FTP,SMP,UPnP,SNMP,DNS,DDNS,NTP,RTSP,RTCP,RTP,TCP,UDP,IGMP,ICMP, DHCP,PPPoE
Remote Connection	10 Users Access at the Same Time
User/Host Level	Up to 32 Users, 4 Levels User Authentication (ID and PW), Host Authentication (MAC Address) IP Address Filtering
Security Measures	IP Address Filtering
Web Browser	IE8,IE9,IE10,IE11,Chrome30,Firefox24
System Compatibility	ONVIF (Profile S), SDK, CGI
Intelligent Alarm	Motion Ddetection, Cover Alarm, Port Alarm,Network Disable Alarm, IP Conflict, MAC Conflict Detection
<b>Advance</b>	
Video Analytic(VCA)	Tripwire, Perimeter, Loitering/Crowd/Parking Detection, Mssing/Foreign Object, Fast Moving, Parking
Intelligent Alarm	Harsh Voice Alarm, Motion Ddetection, Mask Alarm, Port Alarm,Network Disable Alarm, IP Conflict, MAC Conflict Detection
<b>General</b>	
Language	English, Spanish, Korean, Italian,Turkish,Thai, Russian, Simple Chinese, Traditional Chinese
Operating Conditions	-40°C-70°C, 0--95% RHG
Power Supply	AC24V/2A,Independent External Power Adapter
Power Consumption	16W/18W(ICR Instant Switch)
Circuit Protection	TVS 6000V, Lightning/ Surge 4000V Protection
Impact Protection	IP67
Dimensions	298mm×216mm×216mm
Weight	3.7KG (IP PTZ Only), 6KG (With Packing Box)

\* The latest product information / specification can be found at <http://en.tiandy.com/>

