

TC-NH3204IE

H.265 2MP 4x Starlight Mini EW IR POE PTZ

Tiandy

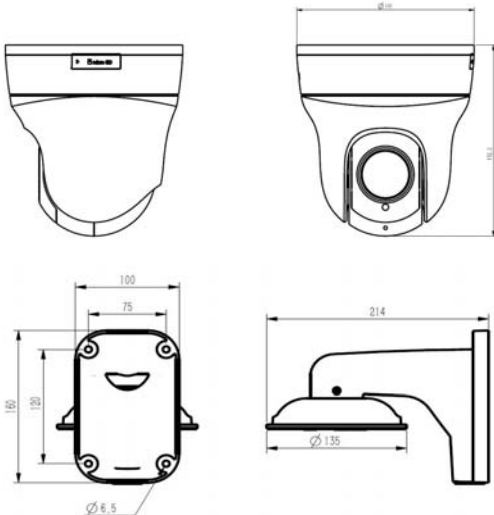
ONVIF



Features

- Early Warning(EW)
- IR LED+White Light
- Built-in Mic and Speaker
- Ultra Low Light 0.002lux
- H.265 Codec
- Smart IR, IR Range: 30~50m
- Speed Max 60°/s, -2~90° Tilt Angle
- Optical Zoom: 4x, Digital Zoom: 16x
- 9 Kinds of IVA Functions
- Security Password Protection
- Built-in Gyro and Support Image Auto-flip
- On-board Storage, MicroSD Card Slot, up to 128GB
- Alarm I/O 2/1, Audio I/O 1/1, POE
- CE, FCC
- Wifi Optional

Dimensions



Bracket

Model: TC-714S3E



Camera	
Image Sensor	1/2.8" Sony Exmor Scan CMOS
Effective Pixels	1920(H)x1080(V)
Signal System	PAL/NTSC
Minimum Illumination	Color: 0.002Lux @(F1.6, 50 IRE , ICR off) Black&White:0.001Lux@ (F1.6,50 IRE , ICR ON) 0 lux with IR
White Balance	Auto/ ATW/ Manual
AGC	Auto/Manual
S/N Ratio	≥ 55dB
BLC	Y
HLC	Y
Smart Defog	Y
WDR	100dB
Digital Noise Reduction	3D DNR
Exposure Mode	Auto/ Manual
Shutter Time	1/1s ~ 1/100000s
Day& Night	IR Cut Filter with Auto Switch
Digital Zoom	16x
Privacy Masking	24 Privacy Mask Programmable, Optional Multiple Colors
Auto Focus	Auto/ Semi-automatic/ Manual
OSD	16×16,32×32,24×24,48×48,64×64 Character Size / Time/Date/Week/Character Superposition in 5 Regions / PTZ Angle Superposition
Lens	
Focal Length	2.8-12mm, 4x
Zoom Speed	Approx.5s(Optical Wide-Tele)
Angle of View	104°(w) ~ 30°(t)
Minimum Working Distance	1-1.5m(Wide-Tele)
Aperture Range	F1.4-F2.8
Pan & Tilt	
Pan Range	360° Endless
Pan Speed	Pan Manual Speed: 0.1° -60°/s, Pan Preset Speed: 60°/s
Preset Accuracy	±0.2°
Tilt Range	-2°-90° (Auto Flip)
Tilt Speed	Tilt Manual Speed: 0.1°-50°/s, Tilt Preset Speed: 50°/s
Proportional Zoom	Rotation Speed Can Be Adjusted Automatically According to Zoom Multiples
3D Position	Y
Number of Preset	500
Scan	8
Cruise	8, up to 32 Presets per Cruise
Pattern	8, Each One With 600s Memory or 300 Orders
Power loss recovery	Y
Guard Action	Preset/ Cruise/ Pattern/ Scan
PTZ Position Display	Y
Freeze Frame	Y
RS-485 Protocols	PTZ_PELCO_D, PTZ_PELCO_P, DOME_PLUS
Infrared	
IR Irradiation Distance	30~50m
IR Irradiation Angle	Adjustable by Zoom
Interface	
Audio Input	1-ch Mc in(Line in Interface) / Line Input 2-2.4V(p-p); Output Impedance 1KΩ, ±10%
Audio Output	Built-in Speaker / Line level. Impedance: 600Ω
Ethernet	1-ch RJ45 10M/ 100M
Alarm Input	2-ch
Alarm Output	1-ch
On-board Storage	MicroSD Card Slot, up to 128GB
BNC&RS-485	N/A
Extension	N/A
Network	
Ethernet	10Base-T/100Base-TX RJ45 Connector
Max.Image Resolution	1920×1080
Main Stream	1920×1080@25/30fps; 1280×960@25/30fps; 1280×720@25/30fps; 640×480@25/30fps; 704×576@25fps; 704×480@30fps
Sub Stream	704×576@25/30fps;704×480@25/30fps; 704×288@25/30fps;704×240@25/30fps; 352×240@25/30fps;352×288@25/30fps;
Third Stream	352×240@25/30fps; 352×288@25/30fps;
Image Compression	H.265/H.264 High Profile/MJPEG
ROI Encoding	8 Dynamic Areas with Adjustable Levels
Audio Compression	G711A/G711U/ADPCM/AAC
Protocols	IP-v4/IP-v6/ HTTP/ HTTPS/ 802.1x/ Qos/ FTP/ SMTP/ UPnP/ SNMP/ DNS/ DDNS/ NTP/ RTSP/ RTP/ TCP/ UDP/ IGMP/ ICMP/ DHCP/ PPPoE
Remote Connection	10 Users Access at the Same Time
User Permission	Up to 32 Users, 4 Levels User Authentication (ID and PW), Host Authentication (MAC Address)
Security Measures	IP Address Filtering
Web Browser	IE8, IE9, IE10, IE11, Chrome30, Firefox24
System Compatibility	ONVIF (Profile S), SDK, CGI
Advance	
Video Analytics	Tripwire, Perimeter, Loitering/Crowd/Parking Detection, Missing/Foreign Object, Face Detection, People Counting, Off-position
Intelligent Alarm	Harsh Voice Alarm, Motion Ddetection, Mask Alarm, Port Alarm,Network Disable Alarm, IP Conflict, MAC Conflict Detection
General	
Language	English, Spanish, Korean, Italian,Turkish,Thai, Russian, Traditional Chinese.
Operating Conditions	-10°C-50°C, 0 ~ 95% RHG
Power Supply	DC 12V/POE/AC24
Power Consumption	4.9W(IR OFF)/ 8.9W(IR ON)
Circuit Protection	TVS 6000V, Lightning/ Surge 4000V Protection
Impact Protection	Indoor
IR LEDs	3pcs
Wiper	N/A
Dimensions	152.2mmx141mmx141mm
Weight	0.8KG (IP PTZ Only), 1.2KG (with Packing Box)

* The latest product information / specification can be found at <http://en.tiandy.com/>



Tiandy Digital Technology Co., Ltd. | en.tiandy.com
Add: No.8, Huake Rd2, Binhai Hi-Tech Industry(Huayuan), Tianjin 300384 China
Tel: +86-22-58596037 Email: sales@tiandy.com

