

TC-NC414/6

4MP H.265 Mini IR Bullet Camera

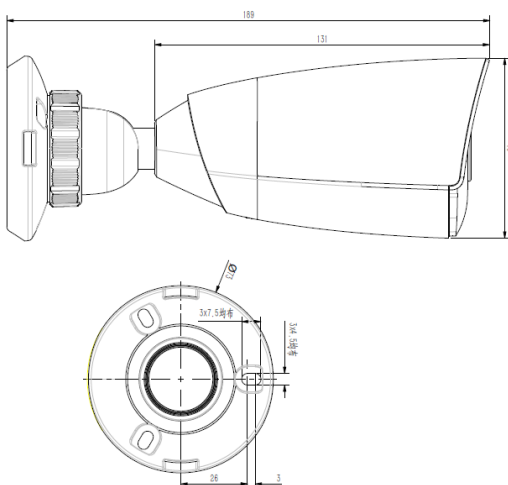
Tiandy



Features

- Tiandy S+265 Technology
- Cable Free Design
- Plug-in Free, Support IE, Chrome, Firefox and Safari
- Up to 2560×1440@25fps
- Smart IR, IR Range: 15m~25m
- Smart VQD(Video Quality Diagnosis)
- Crowd Massing Detection
- 9 Kinds Smart IVA
- 9 Languages Supported
- MicroSD Card Slot, up to 128GB, Reset Button
- TVS 6000V, Lightning/Surge 2000V Protection, IP67
- CE, FCC

Dimensions



Camera	
Image Sensor	1/3" OV CMOS
Core Processor	ARM7 Architecture
Operating System	Embedded Linux
Min. Illumination	Color: 0.05Lux(F1.2,AGC ON) B/W: 0.01Lux(F1.2,AGC ON); 0Lux with IR
Shutter Time	1s~1/100000s
Lens	4mm/6mm, Angle of View: 82.7°/49.2°
Lens Mount	φ12
Auto Iris	N/A
Day& Night	IR Cut Filter with Auto Switch
Wide Dynamic Range	100 dB
Digital Noise Reduction	3D DNR
Compression Standard	
Video Compression	H.265/H.264 HP/MP/BP/M-JPEG
Encode Type	High Profile/Main Profile/Base Line Profile
Video Bit Rate	32Kbps~16Mbps
Audio Compression	G.711A/G.711U/ADPCM/AAC
Audio Bit Rate	G711 8KHz, 64kbps ADPCM 8KHz, 32kbps AAC 48KHz, 96-320kbps
Image	
Max. Image Resolution	1440P(2560×1440)@25fps
Frame Rate	PAL: 1440P@25fps, QXGA@25fps NTSC: 1440P@25fps, QXGA@30fps
Triple Stream	Mainstream: 1440P(2560×1440) Substream: D1(704×576) 3rd Stream: CIF(352×288)
Image Settings	Brightness, Saturation, Contrast Adjustable by Client Software or Web Browser
HLC	Y
Smart Defog	Y
Corridor Format	Y
EIS	Y
ROI	4 Zones
Privacy Mask	4 Zones
Picture Overlay	200 × 200, BMP 24bit, Zone Configurable
OSD	16×16, 32×32, 24×24, 48×48, 64×64, 96×96 Size Letters Such as Week, Date, Time, Total 5 Regions
Network	
Browser	IE, Chrome, Firefox, Safari, Plug-in Free
Network Storage	FTP
NTP	Y
Video Analytics	Tripwire/Perimeter/Missing&Foreign Object/Loitering/Running/Parking/Gathering/Video Diagnosis/Abnormal Detection
Alarm Trigger	Motion Detection/IP Conflict/MAC Conflict/Port Alarm/Mask Alarm
Protocols	IPv4/IPv6/HTTP/802.1x/FTP/SMTP/UPnP/SNMP/DNS/DDNS/NTP/RTSP/TP/CP/UDP/DHCP/PPPoE
User Permission	4 Level/8 Users
Remote Connection	3 Users Access at the Same Time
System Compatibility	ONVIF (Profile S), SDK, CGI
Interface	
Audio Input	N/A
Audio Output	N/A
Communication Interface	1-ch RJ45 10M / 100M Ethernet Interface
Alarm Input	N/A
Alarm Output	N/A
Video Output	N/A
On-board Storage	MicroSD Card Slot, up to 128GB
Reset	Y
General	
Language	English, Spanish, Korean, Italian, Turkish, Thai, Russian, Traditional Chinese
Operating Conditions	-30℃~60℃(IR OFF) / -20℃~40℃(IR ON), 0~95% RHG
Power Supply	DC 12V±10%/PoE
Power Consumption	Max. 4.5W(IR OFF) (ICR Instant Switch 8.5W) Max. 7W(IR ON)
Circuit Protection	TVS 6000V, Lightning/Surge 2000V Protection
Impact Protection	IP67
IR Range	15m~25m
IR LEDs	2pcs Array
Dimensions	189mm×70mm×70mm
Weight	0.7KG (IP Camera Only); 0.9KG (with Packing Box)

* The latest product information / specification can be found at <http://en.tiandy.com/>

