

TC-NC23MX

2MP H.265 Motorized Super Starlight IR Bullet Camera

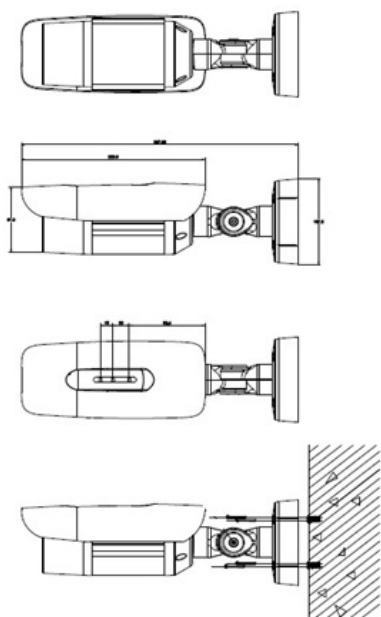
Tiandy



Features

- Super Starlight Ultra Low Light 0.0008lux
- Up To 1080P, 1920x1080@60fps
- H.265/H.264 HP/MP/BP/M-JPEG Codec
- Min. Illumination Color: 0.0008 Lux, B/W: 0.0001 Lux, 0 Lux with IR
- Motorized 3.6-10mm
- Mechanical WDR 140dB
- Smart IR, IR Range: 50m
- VCA Tripwire/Double Tripwire/Perimeter/Object Abandon/Object Lost/Running/Loitering/Parking/Crowd/Audio Abnormal Detection/Video Abnormal Detection/Face Detection/People Counting/On duty Detection
- Interface Audio I/O: 1/1, Alarm I/O: 2/1, Micro SD card slot up to 128G, USB, Reset Button, BNC, USB Storage up to 128G
- TVS 6000V, Lightning/Surge Protection: (Power 2000V, RJ45 1000V), IP67
- Operating Conditions -35°C ~ 60°C (IR OFF) / -35°C ~ 40°C (IR ON), 0 ~ 95% RHG
- CE, FCC

Dimensions



Camera	
Image Sensor	1/1.8" CMOS
Core Processor	ARM9 Architecture
Operating System	Embedded Linux
Signal System	PAL/NTSC
Min. Illumination	Color: 0.0008 Lux @(F1.2, AGC ON) B/W: 0.0001Lux @(F1.2, AGC ON); 0 Lux with IR
Shutter Time	1s to 1/100,000s
Lens	Motorized 3.6-10mm, Angle of View: 99.4°~38.3°
Lens Mount	φ14
Auto Iris	DC Drive
Day & Night	IR Cut Filter with Auto Switch
Wide Dynamic Range	140 dB
Digital Noise Reduction	3D DNR
Focus	Auto
Compression Standard	
Video Compression	H.265/H.264 HP/MP/BP/M-JPEG
Video Bit Rate	32Kbps~16Mbps
Audio Compression	G.711A/G.711U/ADPCM/AAC
Audio Bit Rate	G711 8KHz, 64kbps
Image	
Max. Image Resolution	1920X1080
Frame Rate	PAL: 1080p@50fps, 960p@50fps, 720p@50fps NTSC: 1080p@60fps, 960p@60fps, 720p@60fps Mainstream: 1080P(1920*1080)
Triple Stream	Substream: D1(704*576) 3rd stream: 720P(1280*720)
Image Settings	Brightness, Saturation, Contrast, Flip Mode Adjustable by Client Software or Web
HLC	Y
Smart Defog	Y
Corridor Format	Y, Available for 720P and Above
EIS	Y
ROI	4 Zones
Privacy Mask	4 Zones
Picture Overlay	200 × 200, BMP 24bit, Zone Configurable
OSD	16×16, 32×32, 24×24, 48×48, 64×64, 96×96 Size Letters Such as Week, Date,
Network	
Browser	IE8, IE9, IE10, IE11, Firefox24
Network Storage	FTP
NTP	Y
ANR	Y, Auto store video in SD card when NVR disconnected, and upload video to NVR
Video Analytics	Tripwire/Double Tripwire/Perimeter/Object Abandon/Object
Alarm Trigger	Motion Detection/IP Conflict/MAC Conflict/Port Alarm/Mask Alarm/Network off-line
Protocols	IPv4/IPv6/HTTP/802.1x/FTP/SNMP/UPnP/SNMP/DNS/DDNS/NTP/RTSP/TCPIP/UD
User Permission	4 Level/8 Users
Remote Connection	8 Users Access at the Same Time
System Compatibility	ONVIF (Profile S), SDK
Interface	
Audio Input	1-ch
Audio Output	1-ch
Communication Interface	1-ch RJ45 10M / 100M Ethernet Interface
Alarm Input	2-ch
Alarm Output	1-ch
Video Output	1-ch Vp-p Composite Output (75 Ω, BNC)
On-board Storage	MicroSD Card Slot, up to 128GB
Reset Button	Y
Extension	1x USB
General	
Language	English, Spanish, Korean, Italian, Turkish, Thai, Russian, Traditional Chinese, Simplified
Operating Conditions	-35°C ~ 60°C (IR OFF) / -35°C ~ 40°C (IR ON), 0 ~ 95% RHG
Power Supply	DC12 V ± 10%, PoE (802.3af)
Power Consumption	Max. 6.5W (IR OFF) (ICR Instant Switch 12W) Max. 8.5W (IR ON)
Circuit Protection	TVS 6000V, Lightning/Surge Protection: (Power 2000V, RJ45 1000V)
Impact Protection	IP67
IR Range	50m
IR LEDs	54pcs φ5 Array IR LEDs
Dimensions	337mm×107mm×107mm
Weight	1.3KG (IP Camera Only); 1.6KG (with Packing Box)

* The latest product information / specification can be found at <http://en.tiandy.com/>



Tiandy Digital Technology Co., Ltd. | en.tiandy.com

Add: No.8, Huake Rd2, Binhai Hi-Tech Industry(Huayuan), Tianjin 300384 China

Tel: +86-22-58596037 Email: sales@tiandy.com

